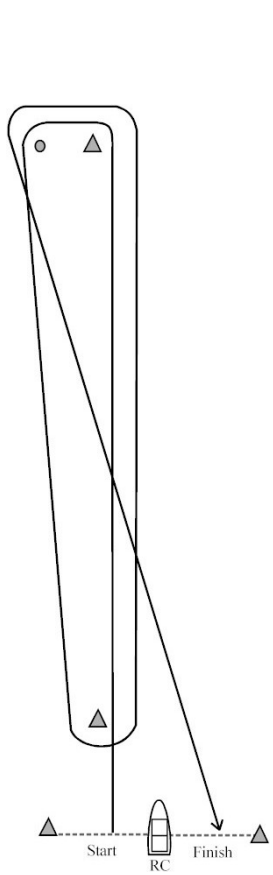
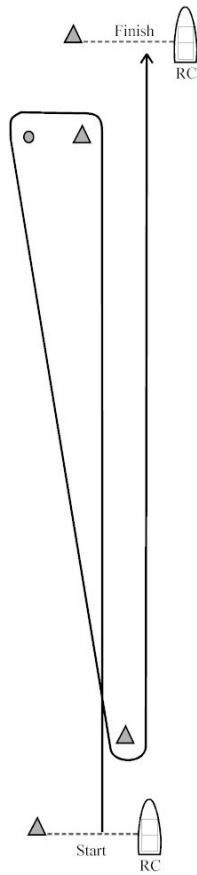


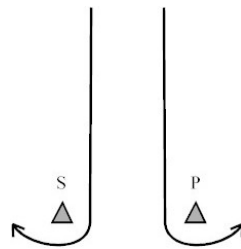
APPENDIX 1 – COURSE CARD 2005



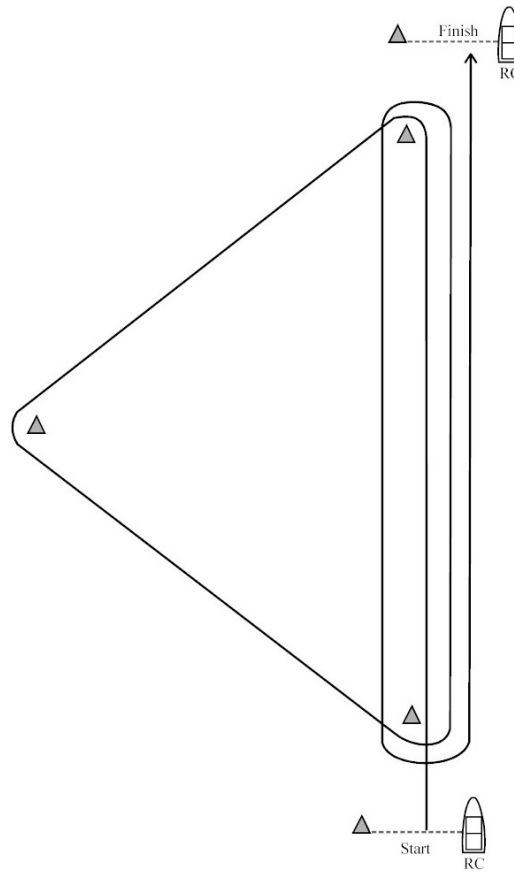
Course "W"
Even # legs



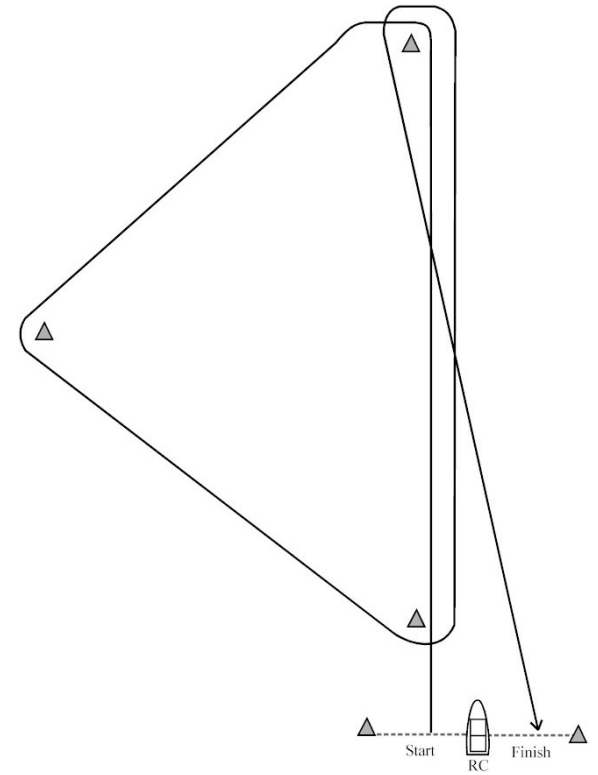
Course "W"
Odd # legs



Gate Marks



Course "O"



Course "K"