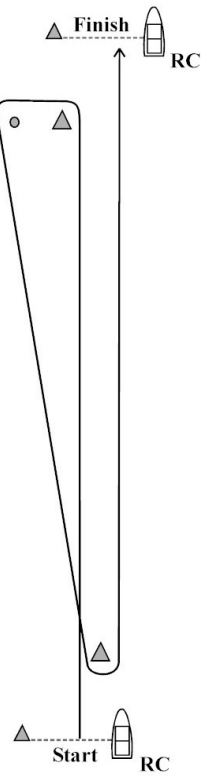


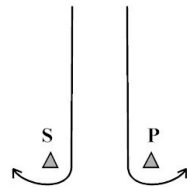
APPENDIX 1 – DROP MARK COURSE CARD 2006



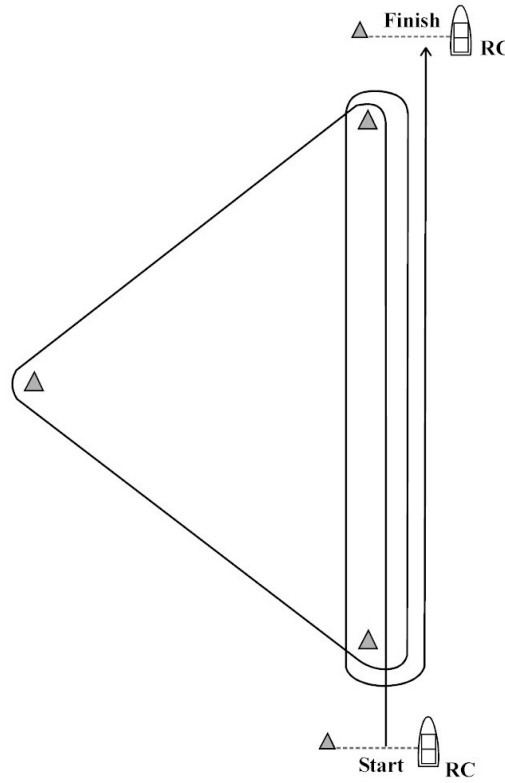
Course "W"
Even # legs



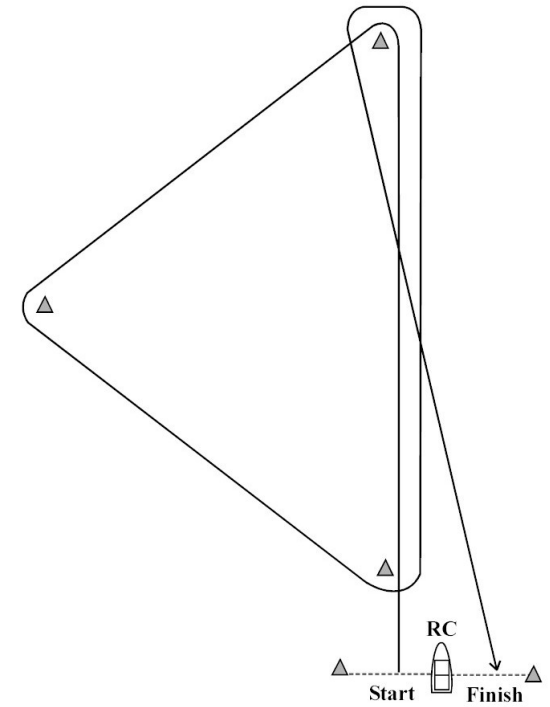
Course "W"
Odd # legs



Gate Marks



Course "O"



Course "K"